

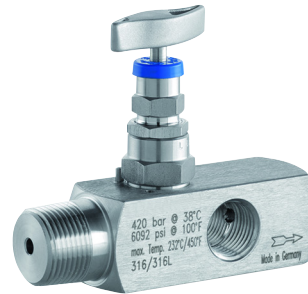
## Multiport Valves – V02 Series

### FEATURES

- Isolates process from instrument assembly
- Connects multiple instruments to one isolation valve
- 316L Stainless Steel Construction
- Pipe plugs and vent plugs available
- Support mounting brackets available

### TYPICAL USES

- Oil & Gas Industry
  - Upstream: Onshore/offshore production
  - Midstream: Transport, storage and natural gas compression
  - Downstream: Refineries and petrochemical industries
- Chemical Industry
- Power Plants
  - Conventional power plants
  - Nuclear power plants
  - Flue gas desulfurization plants
- Other Industries
  - Waste incineration plants
  - Seawater desalination plants
  - Steel mills
  - Cement plants



### SPECIFICATIONS

Process Conn:	½ NPTM or ½ NPTF
Instrument Conn:	(3) ½ NPTF
Construction:	316 Stainless Steel
Max Pressure	
Rating (PTFE):	6092 psi at 140°F (60°C)
Max Temperature	
Rating (PTFE):	392°F (200°C) at 1305 psi

### COMPONENTS

### MATERIAL

#### Wetted

Body	316L
Valve Stem	316L
Needle Tip	316Ti
Packing	PTFE up to 200°C
Gland Nut	316

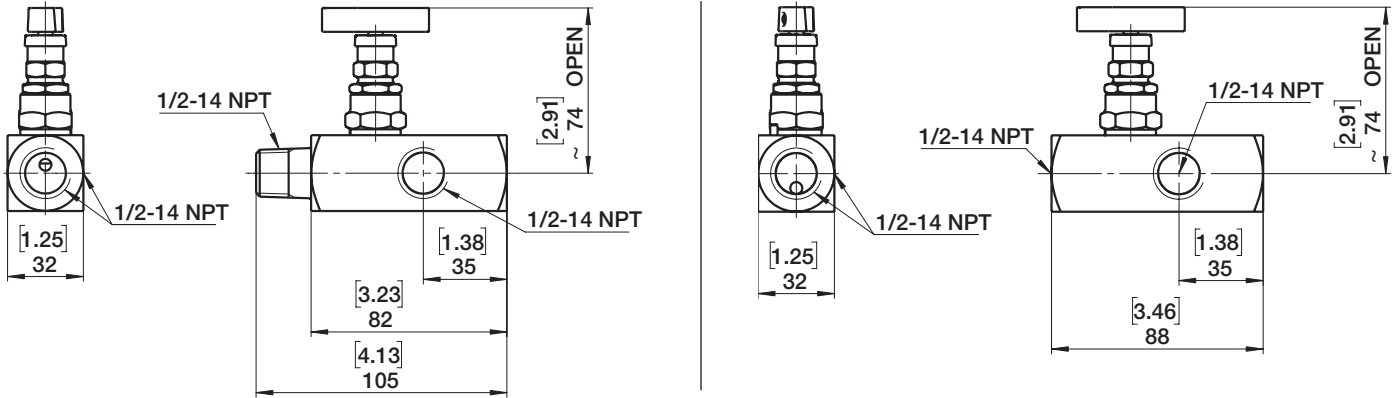
#### Non-Wetted

Bonnet	316
T-Handle	Stainless Steel

- Color-coded dust caps prevent dust ingress and identifies handle function
- PTFE Packing (other materials available upon request)
- Stem with cold rolled surface, back seat and non-rotating needle tip
- Supplied with wetted parts according to NACE MR0175/MR0103
- Material traceability reports available per EN 10204 3.1

## Multiport Valves – V02 Series

### DIMENSIONS (dimensions in [ ] are decimal inches)



### ORDERING CODE

Example:	50	V02	MV	A	SS	50	XC3
<b>Process Connection</b>							
04-1/2 NPT Male							
50-1/2 NPT Female	50						
<b>Series Code</b>							
V02-Valve		V02					
<b>Valves</b>							
MV-Multiport Valve			MV				
<b>Version</b>							
A-Style A				A			
<b>Material</b>							
SS-316SS					SS		
<b>Instrument Connection</b>							
50-1/2 NPT Female						50	
<b>Options</b>							
C3-Material Traceability Report Per							XC3
HY-Hydrostatic Testing							
6B-Cleaned for Oxygen Service							
NH-Stainless Steel Tags							